

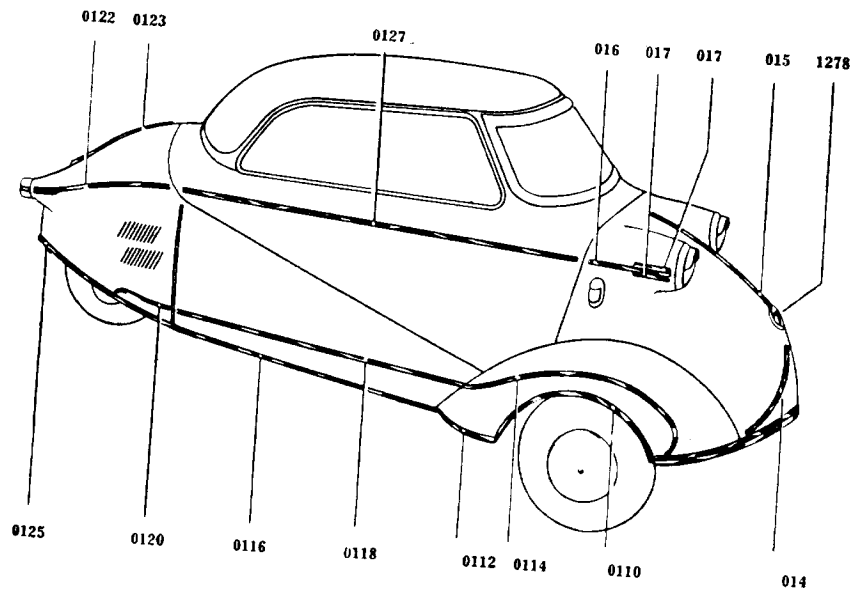
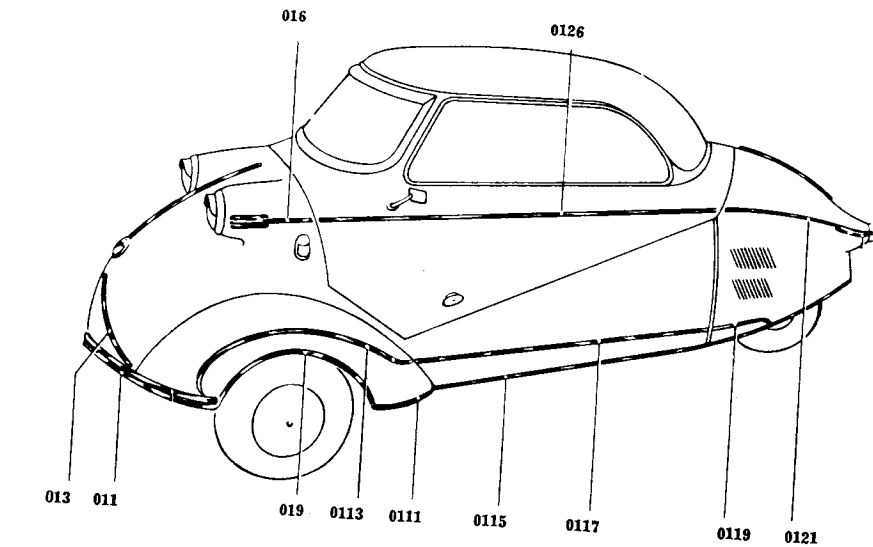
SPARE PARTS PRICE-LIST
KR 200 / KR 201

MÄRZ 1958

FAHRZEUG- UND MASCHINENBAU GmbH
REGENSBURG

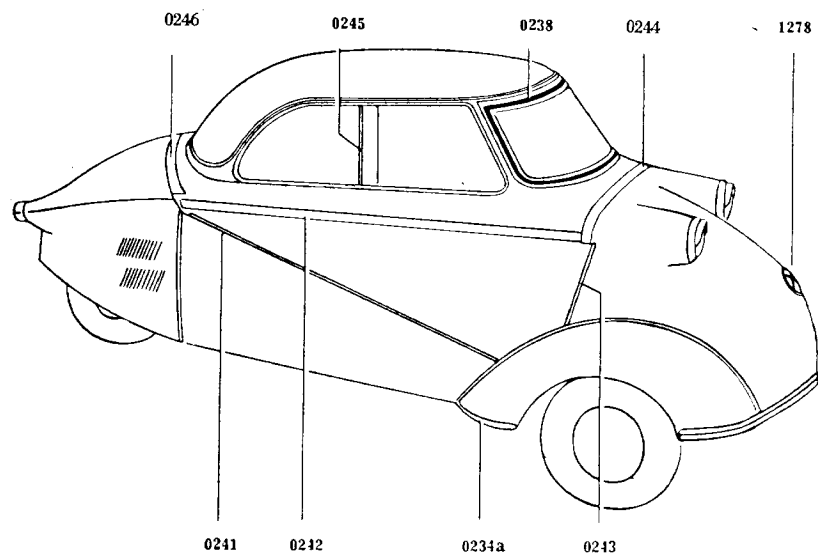
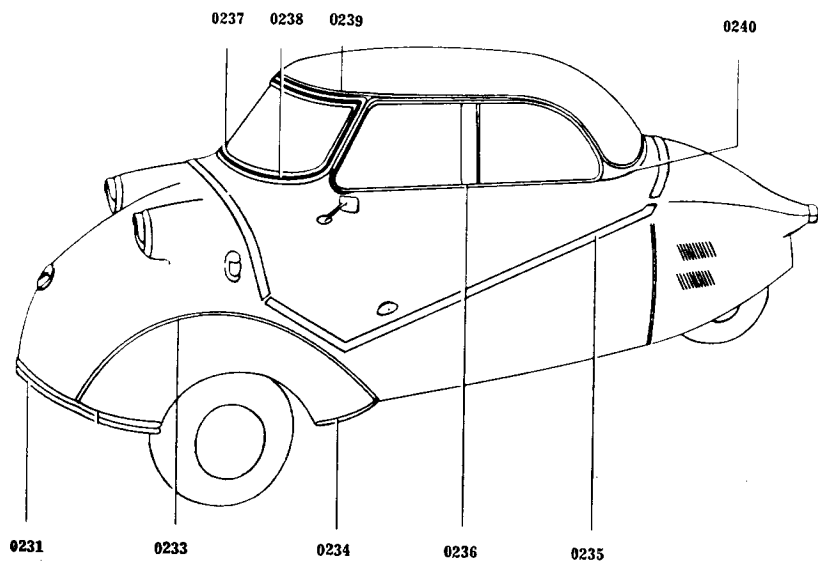
Lilienthalstraße - Telefon 30773/74 - Fernschreiber 065/882

ASSEMBLY UNIT 01 - DECORATIVE STRIPS

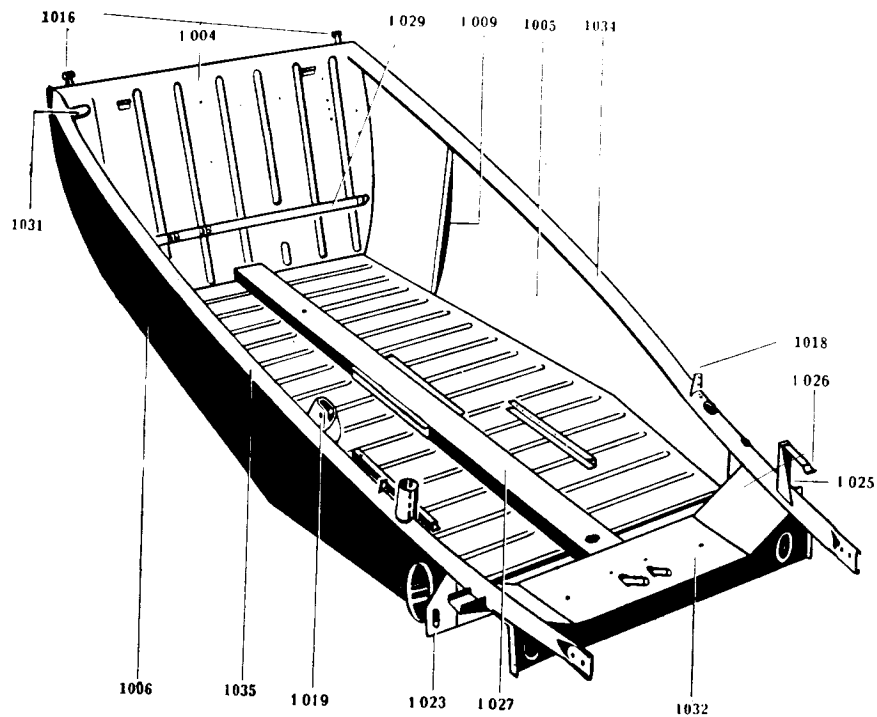


| Part No. | Drawing No. | Name | No. off | Price ea. |
|----------|-------------|---|---------|-----------|
| 011 | 104.70—0004 | Front bumper decoration | 1 Z | 9.55 |
| 013 | 103.10—0113 | Bonnet decoration, left | 1 Z | 1.20 |
| 014 | 10—0114 | Bonnet decoration, right | 1 Z | 1.20 |
| 015 | 10—0112 | Bonnet decoration, centre | 1 Z | 1.35 |
| 016 | 104.21—0007 | Decorative strip on headlamp moulding, left or right, long | 2 Z | —85 |
| 017 | 104.71—0701 | Decorative strip on headlamp moulding, left or right, short | 4 Z | —65 |
| 019 | 70—0602 | Decorative strip on left front wing | 1 Z | 1.85 |
| 0110 | 70—0702 | Decorative strip on right front wing | 1 Z | 1.85 |
| 0111 | 70—0603 | Decorative bumper on left front wing | 1 Z | 1.60 |
| 0112 | 70—0703 | Decorative bumper on right front wing | 1 Z | 1.60 |
| 0113 | 70—0605 | Decorative strip on left front wing | 1 Z | 1.85 |
| 0114 | 70—0705 | Decorative strip on right front wing | 1 Z | 1.85 |
| 0115 | 71—0702 | Decorative strip on lower shell edge, left | 1 Z | 1.65 |
| 0116 | 71—0602 | Decorative strip on lower shell edge, right | 1 Z | 1.65 |
| 0117 | 71—0703 | Decorative strip on lower shell, left | 1 Z | 1.75 |
| 0118 | 71—0603 | Decorative strip on lower shell, right | 1 Z | 1.75 |
| 0119 | 71—0604 | Decorative strip on tail, left | 1 Z | —65 |
| 0120 | 71—0704 | Decorative strip on tail, right | 1 Z | —65 |
| 0121 | 61—0002 | Decorative strip on tail, left, long | 1 Z | 1.25 |
| 0122 | 61—0003 | Decorative strip on tail, right, long | 1 Z | 1.25 |
| 0123 | 103.14—0102 | Decorative strip, tail, centre | 1 Z | 1.20 |
| 017 | 104.71—0701 | Decorative strip on tail, left or right, short | 2 Z | —65 |
| 0125 | 71—0705 | Decorative strip on bottom edge of tail | 1 Z | 2.90 |
| 0126 | 30—0403 | Decorative strip on outer cabin wall, left | 1 Z | 2.35 |
| 0127 | 30—0418 | Decorative strip on outer cabin wall, right | 1 Z | 2.35 |

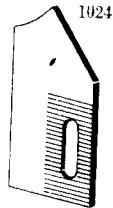
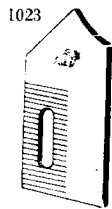
ASSEMBLY UNIT 02 - RUBBER GASKETING



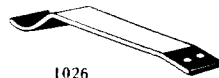
| Part No. | Drawing No. | Name | No. of | Price ea. |
|----------|-------------|--|--------|-----------|
| 0231 | 104.70—0003 | Plastic filler for bumper (colour bonded) | 2 Z | —90 |
| 0233 | 103.10—0134 | Colour bonded gasket between bonnet and wing | 2 Z | —85 |
| 0234 | 104.70—0034 | Plastic filler for bumper on wing, left (colour bonded) | 1 Z | —40 |
| 0234a | 70—0704 | Plastic filler for bumper on wing, right (colour bonded) | 1 Z | —40 |
| 0235 | 17—0143 | Rubber edging around hood (left-hand side) | 1 Z | 2.60 |
| 0236 | 17—0312 | Rubber edging around aluminium window frames, left and right | 2 Z | 2.60 |
| 0237 | 30—0403 | Rubber moulding around windscreen | 1 Z | 8.50 |
| 0238 | 30—0406 | Anti-split filler (colour bonded) | 1 Z | 1.40 |
| 0239 | 30—0404 | Rubber tube for cabin dome 11 mm Ø | 1 Z | 3.10 |
| 0240 | 30—0402 | Rubber gasketing for dome frame, rear | 1 Z | 1.30 |
| 0241 | 30—0008 | Gasket between frame and lower shell (state colour required) | 1 Z | —85 |
| 0242 | 30—0414 | Rubber Cover for hinge | 1 Z | 1.50 |
| 0243 | 30—0009 | Gasket between bonnet and frame | 1 Z | —25 |
| 0244 | 17—0144 | Rubber edging on hood front | 1 Z | 1.70 |
| 0245 | 17—0311 | Rubber edging around side windows | 1 Z | —90 |
| 0246 | 17—0145 | Rubber edging on hood rear | 1 Z | 1.70 |
| 0247 | 103.17—0144 | Rubber moulding around hood frame | 1 | 1.80 |



1028



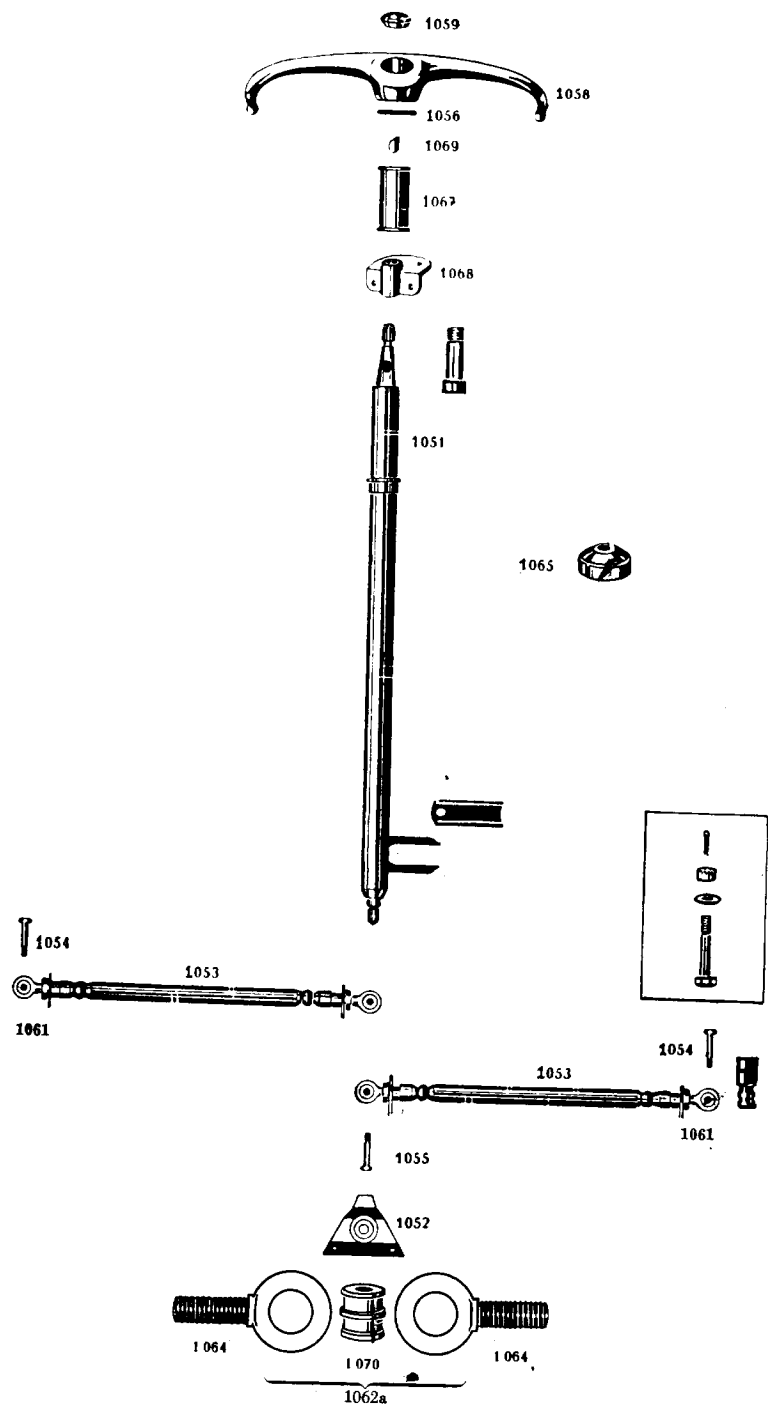
1025



1026

ASSEMBLY UNIT 11 - LOWER COCKPIT SHELL

| Part No. | Drawing No. | Name | No. off | Price ea. |
|----------|-------------|---|---------|-----------|
| 1001b | | Shell, primed | 1 | 178.— |
| 1001c | | Shell, enamelled | 1 | 208.— |
| 1002 | 11—01 | Tubular frame of shell | 1 | 75.— |
| 1003 | 11—02 | Shell floor | 1 | 39.— |
| 1004 | 11—03 | Rear wall | 1 | 12.— |
| 1005 | 11—04 | Side wall, left | 1 | 12.— |
| 1006 | 11—05 | Side wall, right | 1 | 12.— |
| 1007 | 11—06 | Tail supports | 1 | 1.90 |
| 1008 | 18—04 | Aluminium section, left | 1 | —90 |
| 1009 | 18—05 | Aluminium section, right | 1 | —90 |
| 1010 | 11—0001 | Syphon | 2 Z | 3.20 |
| 1011 | 103.12—0705 | Hook plate | 2 Z | —95 |
| 1012 | 104.11—0006 | Protective plate for locking hook | 1 | —50 |
| 1013 | 11—0007 | Rubber stop for tail | 2 Z | —25 |
| 1014 | 11—0005 | Clip to hold rubber stop | 2 Z | —25 |
| 1015 | 103.12—0703 | Rubber tube for teleflex cable in partition | 2 Z | —25 |
| 1016 | 104.11—0105 | Block for hinge | 2 | 1.— |
| 1017 | 11—0106 | U-Shaped channel for engine block | 2 | —35 |
| 1018 | 11—0107 | Tie-piece for nose | 2 | —25 |
| 1019 | 11—0108 | Block for gear lever | 1 | —70 |
| 1020 | 103.12—0194 | Rubber stop for lever | 2 | —85 |
| 1021 | 104.11—0124 | Block for teleflex cable | 1 | —45 |
| 1022 | 11—0125 | Connecting pipe for heater | 1 | —90 |
| 1023 | 11—0118 | Ribbed plate, left | 1 Z | 1.— |
| 1024 | 11—0119 | Ribbed plate, right | 1 Z | 1.— |
| 1025 | 11—0123 | Angled support for hand brake | 1 Z | —75 |
| 1026 | 11—0122 | Leaf spring for hand brake | 1 Z | —25 |
| 1027 | 11—023 | Channel section in flooring | 1 Z | 7.90 |
| 1028 | 11—0603 | Spring for tail support | 1 Z | —30 |
| 1029 | 18—03 | Mounting bar for rear seats | 1 | —90 |
| 1030 | 11—0010 | Protective metal piece for inside handle | 1 | —50 |
| 1015 | 11—0008 | Rubber tube for Speedocable | 1 | —25 |
| 1032 | 11—011 | Lower cross member with ribbed plate | 1 | 20.— |
| 1033 | 11—0101 | Upper cross tube with block for tail | 1 | 5.90 |
| 1034 | 11—0102 | Tubular frame for shell, left | 1 | 13.70 |
| 1035 | 11—0103 | Tubular frame for shell, right | 1 | 13.70 |
| 1036 | 11—0110 | Holder for rubber stop | 2 | —35 |



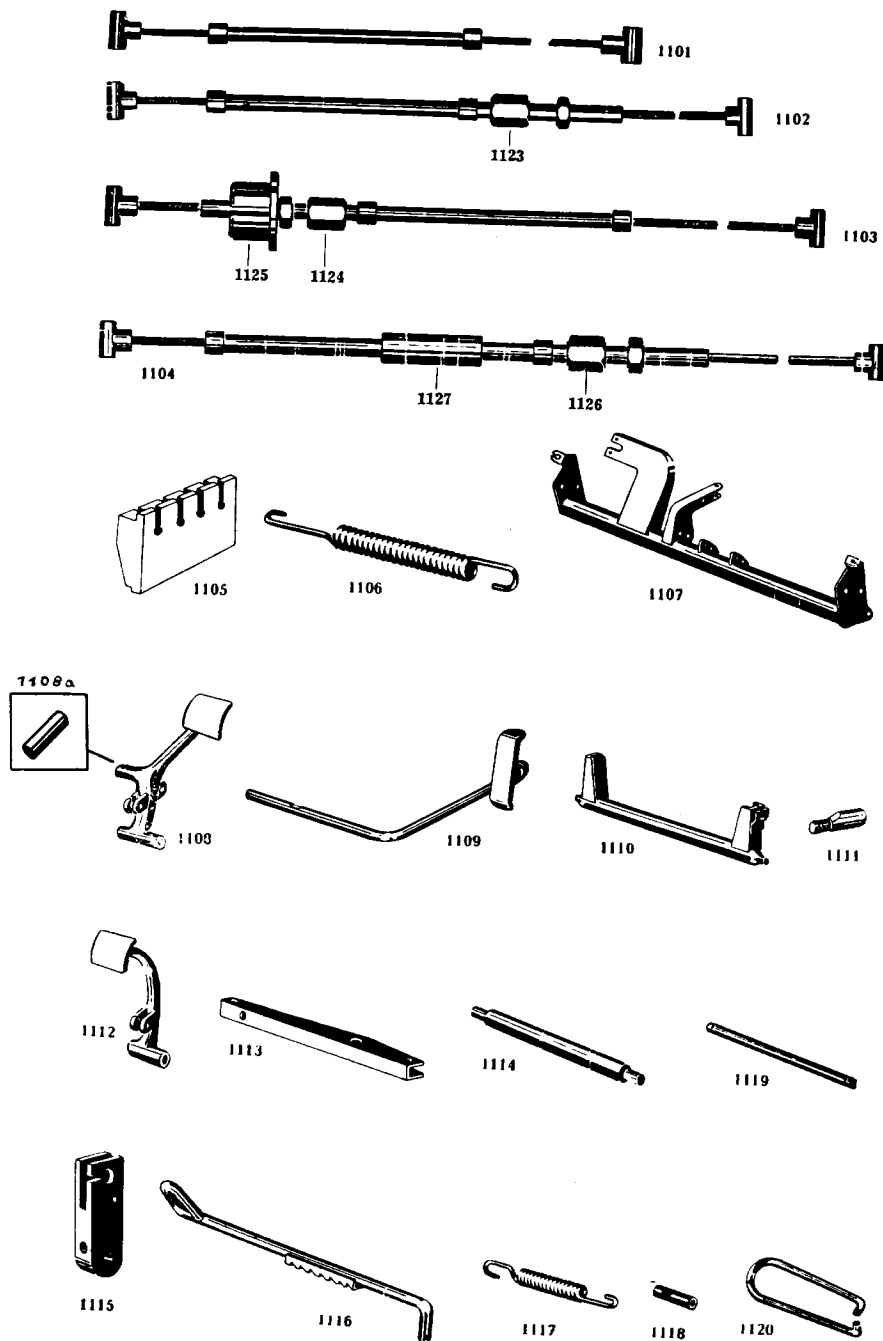
ASSEMBLY UNIT 11 - LOWER COCKPIT SHELL

| Part No. | Drawing No. | Name | No. off | Price ea. |
|----------|-------------|---------------------------------|---------|-----------|
| 1037 | 11—0206 | Clip for cover plate | 1 | —30 |
| 1038 | 11—0601 | Supporting arm for tail support | 1 | —50 |
| 1039 | 11—0602 | Block for tail support | 1 | —40 |
| 1040 | 11—0605 | Back plate for tail support | 1 | —50 |

ASSEMBLY UNIT 12 - STEERING

| | | | | | |
|-------|-------------|---|---|---|-------|
| 1051 | 104.12—011 | Steering column | 1 | Z | 12.— |
| 1052 | 12—02 | Block for steering column with bush | 1 | Z | 4.70 |
| 1053 | 12—03 | Drag link, left or right complete | 2 | Z | 10.50 |
| 1053a | 12—03 | Drag link without eye bolt | 2 | | 4.50 |
| 1054 | 12—0006 | Hex, bolt for drag link, outer | 2 | Z | 1.10 |
| 1055 | 12—0001 | Hex, bolt for drag link, inner | 1 | Z | 1.10 |
| 1056 | 12—0005 | Rubber disc under handlebars | 1 | Z | —15 |
| 1058 | 12—0004 | Handlebar | 1 | Z | 23.20 |
| 1059 | 12—0004 | Horn button | 1 | Z | 2.80 |
| 1061 | 12—032 | Eye bolt, left or right, with Megi bush (right-hand thread) | 2 | Z | 2.90 |
| 1061a | | Eye bolt left or right with vulcanol bush | 2 | | 2.50 |
| 1062a | 12—001 | Eye bolt with double vulcanol bush | 1 | Z | 3.50 |
| 1065 | 12—0322 | Megi bush | 2 | Z | 1.50 |
| 1066 | 12—0323 | Vulcanol bush | 2 | | 1.— |
| 1067 | 104.12—0105 | Chromium-plated tube | 1 | Z | 1.90 |
| 1068 | 12—0106 | Steering column bracket | 1 | Z | 2.70 |
| 1069 | DIN 6888 | Woodruff key | 1 | Z | —30 |
| 1070 | 104.12—0007 | Double Vulcanol bush | 1 | Z | —80 |
| 1071 | | Bearing in eye bolt | | | 1.30 |
| 1072 | | Nut M 16×1 | 1 | | —50 |

ASSEMBLY UNIT 13 - FOOT-CONTROLS AND HAND-BRAKE



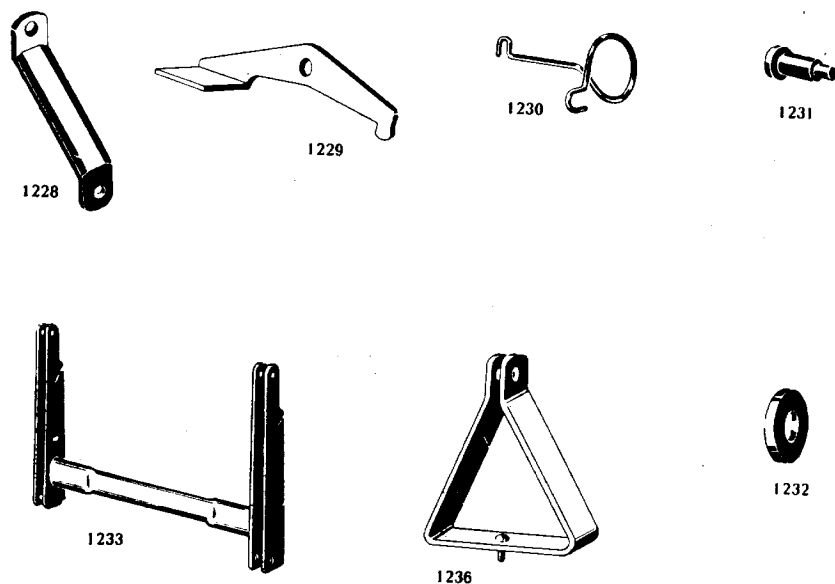
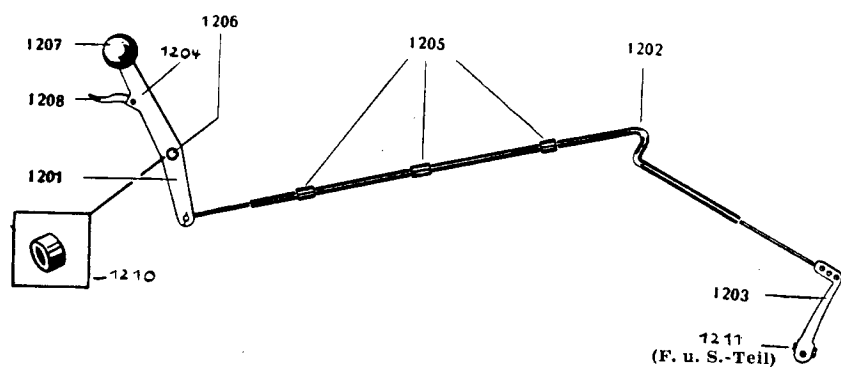
| Part No. | Drawing No. | Name | No. off | Price ea. DM |
|----------|-----------------|---|---------|--------------|
| 1101 | 104.13-06 | Accelerator cable, complete | 1 Z | |
| 1102 | 13-07 | Clutch cable complete | 1 Z | |
| 1103 | 13-08 | Rear brake cable complete | 1 Z | |
| 1104 | 13-09 | Front brake cable complete | 1 Z | |
| 1105 | 13-0001 | Cable Separating block | 1 Z | |
| 1106 | 13-0004 | Spring for accelerator pedal | 1 Z | |
| 1107 | 13-011 | Bridge | 1 Z | |
| 1108 | 13-012 | Foot-brake pedal | 1 Z | |
| 1108a | 13-0122 | Locking pin | 1 Z | |
| 1109 | 13-013 | Accelerator pedal | 1 Z | |
| 1110 | 13-014 | Brake shaft, left | 1 Z | |
| 1110a | | Brake shaft, right | 1 Z | |
| 1111 | 13-0152 | Threaded bolt for fork head | 1 Z | |
| 1112 | 13-0101 | Clutch pedal | 1 Z | |
| 1113 | 13-0102 | Hand-brake shift lever | 1 Z | |
| 1114 | 13-0105 | Brake compensating bolt | 1 Z | |
| 1115 | 13-0151 | Fork head for accelerator cable | 1 Z | |
| 1117 | 103.60-0404 | Return spring for clutch cable | 1 Z | |
| 1118 | 104.13-0108 | Distance piece for bridge 33 mm | 1 Z | |
| 1119 | 13-0106 | Rod for bridge | 1 Z | |
| 1120 | 13-0103 | Link between hand and foot brake | 1 Z | |
| 1122 | 13-0116 | Stop wire 6 ϕ , 100 mm | 1 | |
| 1123 | M 6 \times 35 | Adjusting device for clutch cable | 1 | |
| 1124 | M 8 \times 40 | Adjusting device for rear brake cable | 1 | |
| 1125 | 104.13-0801 | Seal for rear brake cable | 1 | |
| 1126 | M 6 \times 45 | Adjusting device for front brake cable | 2 | |
| 1127 | 103.50-0205 | Protective sleeve for front brake cable | 2 | |
| 1128 | 104.13-01 | Pedal control system complete | 1 | |
| 1130 | | Handbrake lever with knob | | |
| 1131 | | Knob for 1130 | | |

ASSEMBLY UNIT 15 - GEAR CONTROL SYSTEM

| Part No. | Drawing No. | Name | No. off | Price ea. |
|----------|-------------|--|---------|-----------|
| 1201 | 104.15—011 | Hand gear lever complete with knob and neutral lever | 1 Z | 5.50 |
| 1202 | 15—01 | Teleflex system | 1 Z | 17.90 |
| 1203 | 14—0131 | Gear shift lever | 1 Z | 4.80* |
| 1204 | 103.60—0103 | Neutral gear lever bolt | 1 Z | —25 |
| 1205 | 104.15—0001 | Collars for Teleflex system | 3 Z | —30 |
| 1206 | 103.60—0122 | Threaded bolt for hand gear lever | 1 Z | 1.— |
| 1207 | 104.50—0111 | Knob for hand gear lever | 1 Z | 1.— |
| 1208 | 60—0123 | Neutral lever | 1 Z | 1.50 |
| 1210 | 15—0002 | Bush for 1206 | 1 | —25 |

ASSEMBLY UNITS 16, 17 AND 18 - SEATS

| | | | | |
|------|-------------|--|-----|-------|
| 1226 | 104.16 | Seat-back, rear, complete | 1 | 24.— |
| 1227 | 17 | Front seat, complete with lifting mechanism. | 1 | 70.50 |
| 1228 | 17—0001 | Front seat support | 2 Z | —80 |
| 1229 | 17—0002 | Seat slide stop | 1 Z | —80 |
| 1230 | 17—0003 | Spring for 1229 | 1 Z | —30 |
| 1231 | 17—0006 | Bolt for 1229 | 8 Z | —30 |
| 1232 | 17—0007 | Washer for 1231 | 2 Z | —10 |
| 1233 | 17—03 | Frame for lifting mechanism. | 1 Z | 6.— |
| 1234 | 18—01 | Rear seat, large, complete | 1 | 35.— |
| 1235 | 18—02 | Rear seat, small, complete | 1 | 20.— |
| 1236 | 18—011 | Supporting bracket for rear seat | 1 Z | 1.50 |
| 1237 | 17—0213 | Rubber Washer for 1236 | 2 | —40 |
| 1238 | | Upholstery cover, seat of front seat | | 4.— |
| 1239 | | Upholstery cover, back of front seat | | 8.— |
| 1240 | | Upholstery cover, rear seat large | | 5.— |
| 1241 | | Upholstery cover, rear seat small | | 2.50 |
| 1242 | | Upholstery cover, back of rear seat | | 6.— |
| 1243 | 104.30—0124 | Hinge for dome structure | | 3.40 |



ASSEMBLY UNIT 20 - NOSE (BONNET)



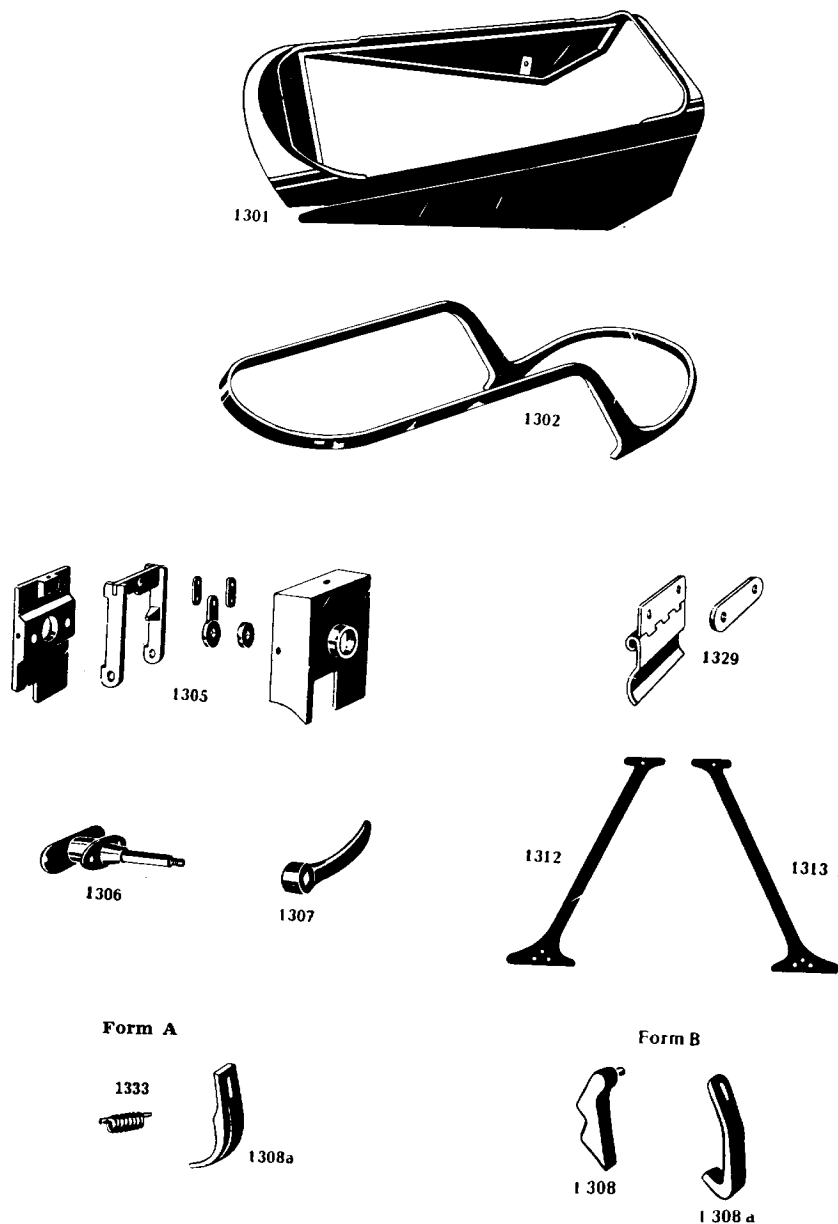
1271



1275

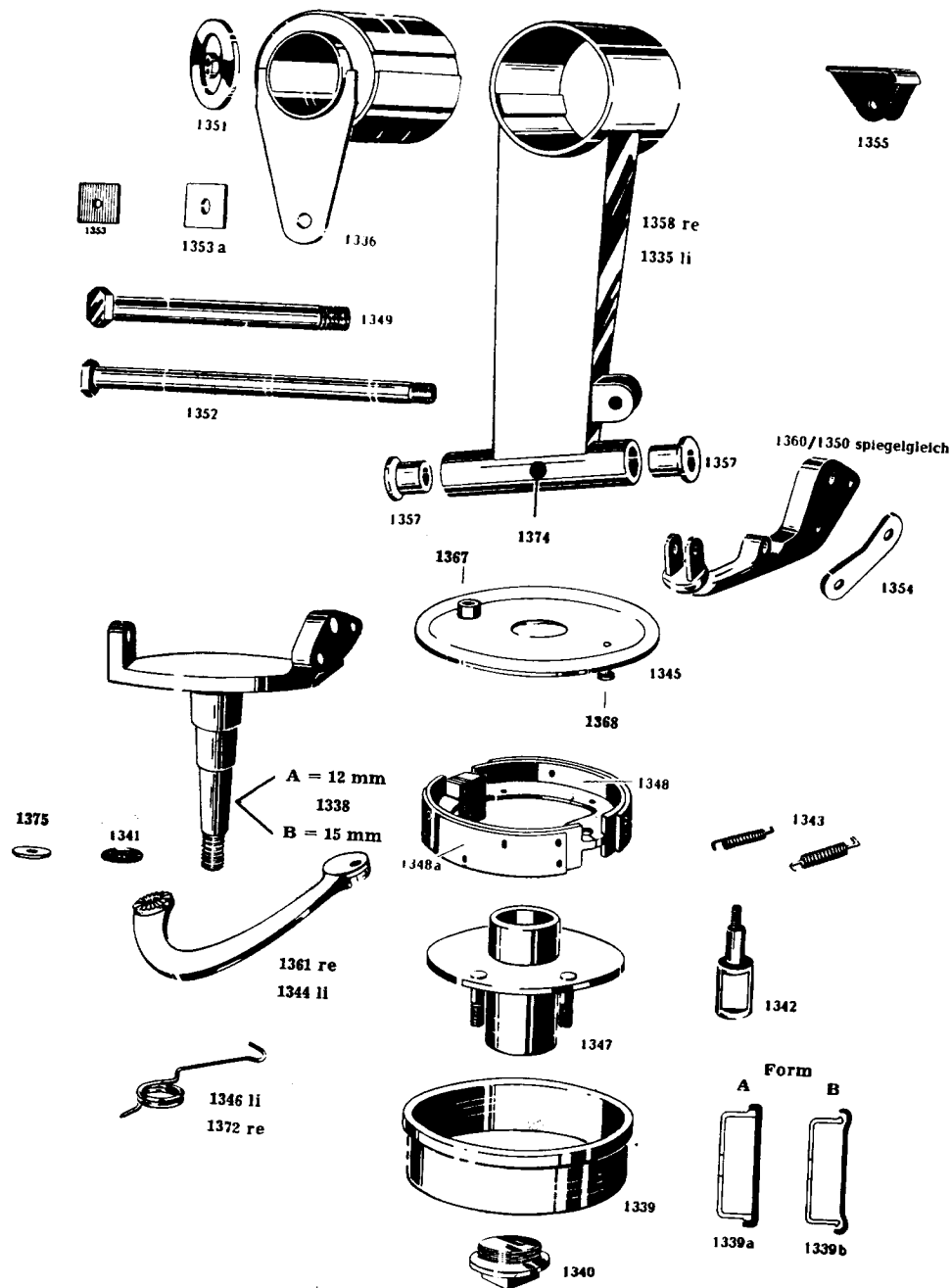
| Part No. | Drawing No. | Name | No. off | Price ea. |
|----------|-------------|---|---------|-----------|
| 1272 | 21 | Nose, primed, without fittings | 1 | 136.— |
| 1273 | 21 | Nose, enamelled, without fittings (please indicate colour) | 1 | 166.— |
| 1274 | 20—0005 | Speedometer with illuminated dial | 1 | 24.— |
| 1275 | 104.20—0001 | Speedometer cable complete | 1 Z | 10.90 |
| 1276 | 20—0006 | Black gasket 3 mm diam×25×500 between nose and shell | 1 | —.50 |
| 1277 | 21—0006 | Entering plate (aluminium) | 1 | 1.50 |
| 1278 | 103.10—0141 | Maker's emblem. (Messerschmitt bird) | 1 | 3.25 |
| 1279 | 103.10—0144 | Rubber ring for maker's emblem | 1 | —.25 |
| 1282 | 21—0001 | Tread board | 1 | 4.50 |
| 1283 | 21—0015 | Wheel covering plate, nose section | 2 | 3.— |

ASSEMBLY UNIT 30 - CABIN



| Part No. | Drawing No. | Name | No. off | Price ea. DM |
|----------|------------------|---|---------|--------------|
| 1300 | | Dome structure, enamelled, complete without dome | | |
| 1300a | | Dome structure, primed, complete without dome | | |
| 1301b | | Dome structure, frame only, primed | | |
| 1301c | | Dome structure, frame only, enamelled | | |
| 1302 | 30-02 | Profile frame | 1 | Z |
| 1303 | 30-03 | Rear view mirror | 1 | |
| 1303a | | Mirror glass | 1 | |
| 1303c | 103.16-0118 | Rubber backing, large and small | 1 | |
| 1303/1 | | Rear view mirror, large | | |
| 1303b | | Rear view mirror glass, large | | |
| 1304 | 103.17-06 | Lock, complete (1305, 1306, 1307, 1308, Form A or B) | 1 | Z |
| 1305 | 17-06/1 | Lock housing, complete w. 1308 and 1308 a Form A or B | 1 | Z |
| 1305a | 15-0212 | Rubber gasket for cabin lock | 1 | |
| 1306 | 17-0609 | Handle with lock for cabin | 1 | Z |
| 1307 | 17-0610 | Inside handle for cabin | 1 | Z |
| 1308 | 17-0603 | Latch (see drawing) Form B | 1 | Z |
| 1308a | | Latch hook, Form A or B | 1 | Z |
| 1309 | 17-0609/1 | Cabin lock key (quote key or chassis number) | 2 | |
| 1310 | 104.30-0001 | Window frame, left | 1 | |
| 1311 | 30-0002 | Window frame, right | 1 | |
| 1312 | 30-0003 | Windscreen upright left | 1 | Z |
| 1313 | 30-0004 | Windscreen upright right | 1 | Z |
| 1314 | 103.15-04 | Hood strap, complete | 1 | |
| 1315 | 104.30-0407 | Windscreen | 1 | |
| 1326 | 30-0409 | Plexiglass dome | 1 | Z |
| 1327 | 30-041/42 | Side windows, front left or right | 2 | |
| 1328 | 30-044/45 | Side windows, rear, left or right | 2 | |
| 1329 | 30-043 | Window locking device | 2 | Z |
| 1330 | 103.13-0308 | Metal button for side windows | 4 | |
| 1331 | 103.11-0114 | Name plate "Messerschmitt" with nuts | 1 | |
| 1332 | 104.71-0806/0815 | Window panel left or right | 2 | |
| 1333 | | Latch spring | 1 | |

ASSEMBLY UNIT 45, 46 - CHASSIS, LEFT AND RIGHT

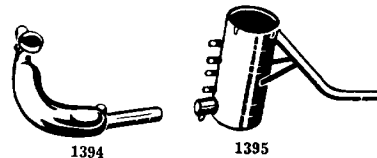
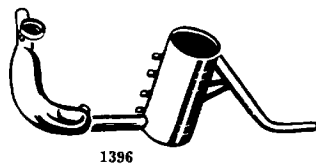
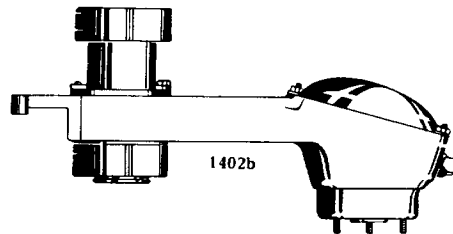
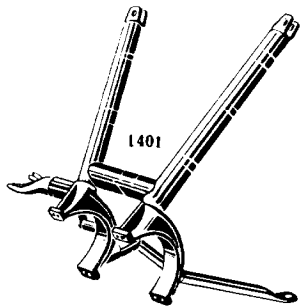
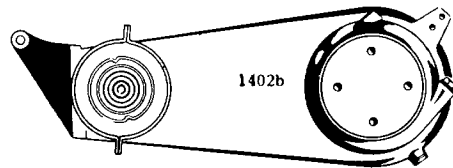
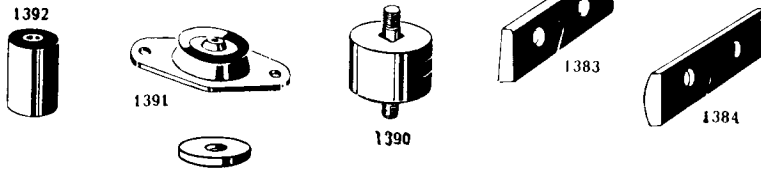


1347 Form A 12 mm innen ϕ
 1347 Form B 15 mm innen ϕ

| Part No. | Drawing No. | Name | No. off | Price ea. |
|----------|-------------|---|---------|-----------|
| 1335 | 104.45-01 | Rocker lever, left with 1357 and 1336 | 1 Z | 24.— |
| 1336 | 45-02 | Suspension member, left as right | 2 Z | 14.50 |
| 1337 | 24-03 | Wheel hub, complete | 1 Z | 50.— |
| 1338 | 103.24-0311 | Stub axle, left as right | 1 Z | 13.80 |
| 1339 | 24-0301 | Brake drum (state whether shape A or B) | 2 Z | 9.10 |
| 1340 | 24-0302 | Locking screw | 2 Z | 1.90 |
| 1341 | 24-0305 | Toothed disc for brake lever adjustment | 1 Z | —90 |
| 1342 | 24-0306 | Brake cam = Brake toggle | 2 Z | 3.30 |
| 1343 | 24-0307 | Tension spring for brake block | 4 Z | —30 |
| 1344 | 24-0303 | Brake lever, left | 1 | 1.90 |
| 1345 | 24-0312 | Brake mask (state whether shape A or B) and left or right | 1 Z | 2.70 |
| 1346 | 24-0315 | Return spring, left | 1 | —50 |
| 1347 | 24-032 | Hub with ball bearings shape A or B | 2 | 16.45 |
| 1348 | 24-033 | Brake block complete with Juride lining | 4 | 4.80 |
| 1348a | | Brake lining | 4 | 1.30 |
| 1348b | | Rivets for brake lining | | —02 |
| 1349 | 104.45-0001 | Stub axle bolts | 2 Z | 3.50 |
| 1350 | 45-0002 | Steering lever, left | 1 Z | 5.60 |
| 1351 | 43-0001 | Cover on suspension member | 4 Z | —50 |
| 1352 | 41-0002 | Bolt for rocker mounting | 2 Z | —95 |
| 1353 | 41-0003 | Toothed disc for camber adjustment | 2 Z | —65 |
| 1353a | | Distance piece | | —50 |
| 1354 | 103.24-0007 | Securing plate | 2 Z | —20 |
| 1355 | 104.45-001 | Bearing block for shock-absorber | 2 Z | 1.80 |
| 1356 | 45-0003 | Shock absorber | 2 | 24.— |
| 1357a | 46-013 | Vulkollan bush | 4 Z | —80 |
| 1358 | 46-01 | Rocker lever, right | 1 Z | 24.— |
| 1359 | 24-04 | Wheel hub, right, complete | 1 | 50.— |
| 1360 | 46-0002 | Steering lever, right | 1 Z | 5.60 |
| 1361 | 24-0403 | Brake lever, right | 1 | 1.90 |

ASSEMBLY UNIT 45, 46 - CHASSIS, LEFT AND RIGHT

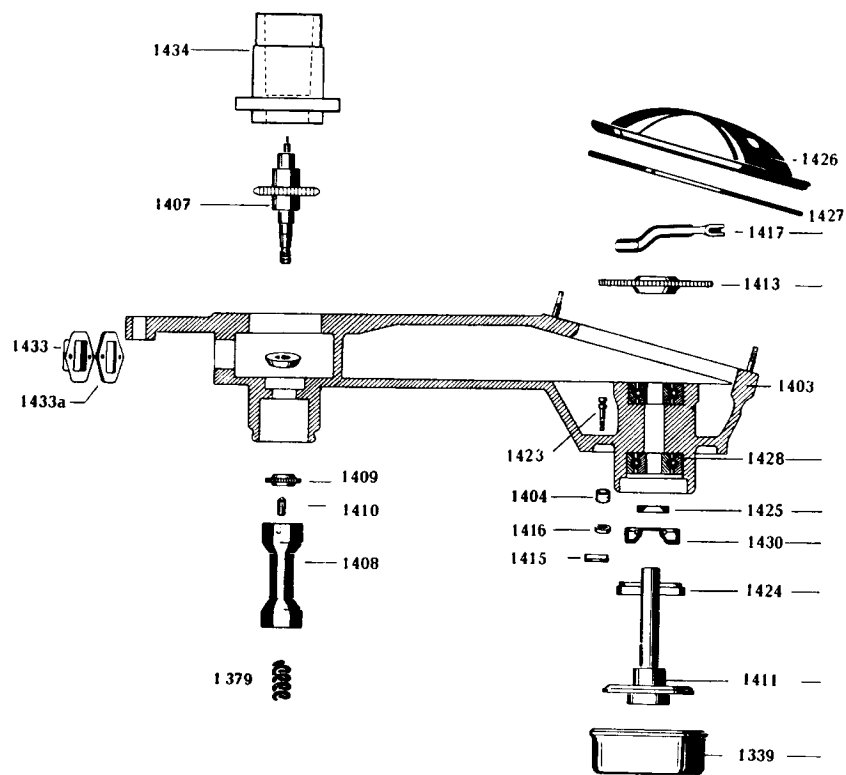
| Part No. | Drawing No. | Name | No. off | Price ea. |
|----------|-------------|--|---------|--------------|
| 1362 | | Inner hub bearing 6004 | 1 | 3.35 |
| 1363 | | Outer hub bearing 6201 | 1 | 2.45* |
| 1363a | | Bearing 6002 | 1 | 2.60* |
| 1364 | | Simmer ring DIN 6503 | 1 | 1.60* |
| 1365 | | Castelatea nut M 12×1.5 | | —.35 |
| 1366 | 103.24—0304 | Rubber disc | 1 | —.20 |
| 1367 | | Sleeve for brake-toggle | | —.50 |
| 1369 | 24—0316 | Ring for ballbearing 6004 | | —.20 |
| 1370 | 24—0323 | Screw ring | 1 | —.95 |
| 1371 | 24—0343 | Securing plate | 1 | —.15 |
| 1372 | 24—0415 | Return spring, right | 1 | —.50 |
| 1373 | | Washer for wheel hub 13 mm ϕ , front | | —.15 |
| 1374 | | Grease nipple | | —.25 |
| 1375 | | Rubber disc | | —.15 |



ASSEMBLY UNIT 50 - CHASSIS, REAR

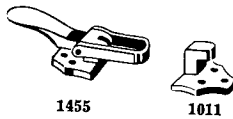
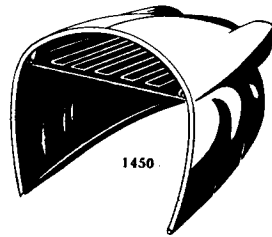
| Part No. | Drawing No. | Name | No. off | Price ea. |
|----------|-------------|---|---------|---------------|
| 1341 | 103.24—0305 | Toothed disc for brake lever adjustment | 1 | —.90 |
| 1377a | 104.55—0005 | Return spring for brake lever (tension spring) | 1 Z | —.50 |
| 1377b | | Return spring for brake lever (pressure spring) | 1 | —.50 |
| 1378 | 55—0006 | Rubber sleeve | 1 Z | 2.50 |
| 1379 | 55—0404 | Pressure spring in toothed sleeve No. 1408 | 1 Z | —.40 |
| 1380 | 55—0405 | Centreing disc on engine for rubber sleeve | 1 | 1.50 |
| 1381 | 50—01 | Shock absorber | 1 | 24.— |
| 1383 | 50—0003 | Intermediate piece for rocker adjustment | 2 Z | —.50 |
| 1384 | 50—0004 | Supplementary piece for spring | 4 Z | —.50 |
| 1386 | 50—0005 | Securing plate | 4 | —.10 |
| 1388 | 51—02 | Wing, rear, primed | 1 | 14.50 |
| 1389 | 51—02 | Wing, rear, enamelled (state colour) | 1 | 19.— |
| 1390 | 51—05 | Rubber megi buffer with threaded pin | 1 Z | 4.75 |
| 1391 | 51—06 | Rubber member metal/rubber flange | 1 Z | 5.90 |
| 1392 | 51—07 | Rubber megi shock absorber | 2 Z | 1.90 |
| 1393 | 51—011 | Battery holder, complete | 1 | 2.50 |
| 1394 | 54—01 | Exhaust pipe with heater jacket and nut | 1 | 24.50 |
| 1394a | | Gasket for exhaust nut 650 000 | 1 | —. 25* |
| 1395 | 54—02 | Exhaust silencer | 1 | 22.50 |
| 1395a | | Asbestos plate for exhaust silencer | 1 | —.50 |
| 1395b | 54—0107 | Welding piece for exhaust pipe | 1 | —.70 |
| 1396 | 54— | Exhaust unit, complete | 1 Z | 45.— |
| 1397 | 55—05 | Rubber springing | 2 Z | 10.80 |
| 1398 | 51—0001 | Tie-plate, front, for engine | 1 Z | —.90 |
| 1399 | 51—0002 | Tie-plate, rear, for engine | 1 Z | 1.95 |
| 1401 | 51— | Chassis block, rear, with battery holder | 1 Z | 58.— |

ASSEMBLY UNIT 50 - CHASSIS, REAR



| Part No. | Drawing No. | Name | No. off | Price ea. |
|----------|-------------|---|---------|--------------|
| 1402a | 55 | Rocker, complete | 1 | 258.— |
| 1402b | 55 | Rocker complete with rubber buffer | 1 Z | 279.— |
| 1403 | 55—0101 | Rocker housing | 1 Z | 70.— |
| 1404 | 104.55—0102 | Bush for brake toggle | 1 Z | —50 |
| 1405 | 103.38—0215 | Brake bolts | 1 Z | 1.20 |
| 1407 | 104.55—03 | Chain pinion | 1 Z | 15.10 |
| 1408 | 55—0401 | Toothed sleeve | 1 Z | 26.75 |
| 1409 | 55—0402 | Cog wheel | 2 Z | 6.70 |
| 1410 | 55—0403 | Spring bolts in the toothed sleeve | 2 Z | —95 |
| 1411 | 52—0501 | Spindle | 1 Z | 15.— |
| 1413 | 55—0001 | Chain wheel | 1 Z | 12.50 |
| 1414 | 55—0008 | Brake toggle | 1 Z | 3.30 |
| 1415 | 55—0002 | Rubber disc for brake toggle | 1 Z | —20 |
| 1416 | 55—0003 | Rubber gasket for brake toggle | 1 | —20 |
| 1417 | 55—0004 | Brake lever | 1 Z | 3.35 |
| 1348 | 103.24—033 | Brake block, complete with brake lining | 2 Z | 4.80 |
| 1348a | 24—033 | Brake lining | 2 | 1.30 |
| 1348b | | Rivets for brake lining | | —02 |
| 1343 | 24—0307 | Spring for brake blocks | 2 | —30 |
| 1339 | 24—0301 | Brake drum — quote Shape A or B | 1 Z | 9.10 |
| 1422 | 104.52—0012 | Distance piece for ball-bearing 25 Ø×2×58 lg. | 1 | —90 |
| 1423 | 55—0014 | Bolt for brakelever return spring | 1 | —80 |
| 1424 | 55—0015 | Screw ring for brake hub | 1 Z | 3.30 |
| 1425 | 55—0016 | Ring for brake hub | 1 Z | —80 |
| 1426 | 55—0017 | Cover plate | 1 Z | 3.50 |
| 1427 | | Gasket under cover plate | 1 Z | 1.40 |
| 1428 | | Ball-bearing 6204 | 4 Z | 3.40* |
| 1430 | | Simmer ring 28×42.5×8 | 1 Z | 1.75* |
| 1431 | | Locking screw a) Oil-filling screw b) Drain screw | 2 | —95 |
| 1432 | | Driving chain, 70 links | 1 | 10.80 |
| 1433 | 104.55—0021 | Rocker housing lid | 1 Z | —90 |
| 1433a | 55—0022 | Oil-resistant rubber gasket | 1 Z | —40 |

ASSEMBLY UNIT 50 - CHASSIS, REAR

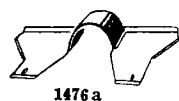
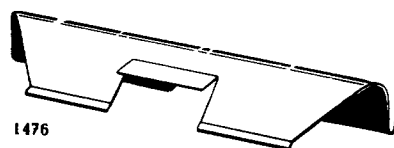
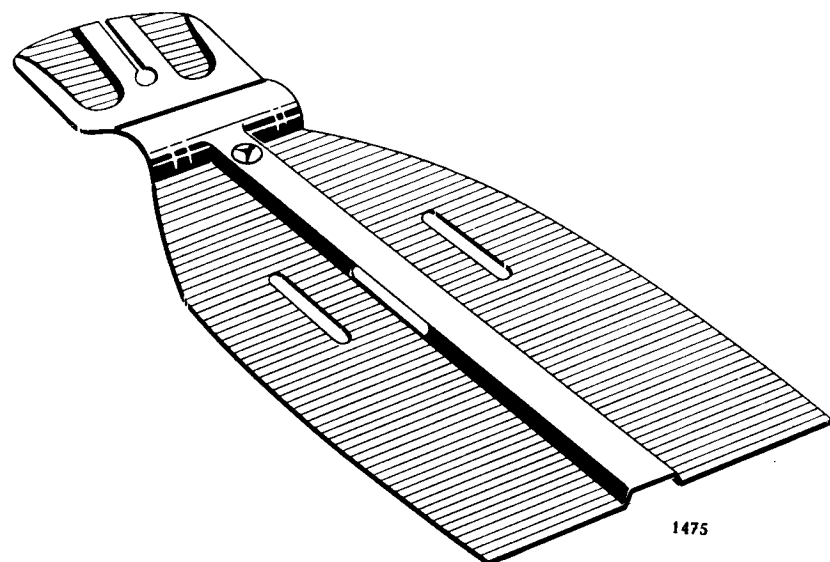


| Part No. | Drawing No. | Name | No. off | Price ea. |
|----------|-------------|-------------------------------|---------|-----------|
| 1434 | 55—06 | Rocker arm complete | 1 Z | 16.— |
| 1435 | | Chain link | | —,75 |
| 1436 | | Chain member, offset | | 1.30 |
| 1437 | 104.51—0003 | Distance piece | | —,20 |
| 1402/2 | 51—0004 | Angle on ventilator housing | | —,80 |
| 1439 | 55—04 | Nut M 12×1 DIN 936 for 1407 | 1 | —,30 |
| 1440 | 55—0202 | Threaded ring on speedo-cable | 1 | 1.60 |
| 1441 | 55— | Asbestos ring 16×20, DIN 7603 | 1 | —,40 |
| 1443 | | Spring for 1413 6×6×14.5 | 2 | —,25 |
| 1443a | | Spring for 1413 round | 2 | —,25 |
| 1444 | | Spring for 1407 | 1 | —,25 |
| 1445 | | Hex. nut M 16×1.5 DIN 934 | 1 | —,40 |
| 1445a | | Securing plate DIN 642 | 1 | —,20 |
| 1446 | 55— | Cylindrical pin 10 Ø 24 mm | 1 | —,15 |
| 1447 | 55— | Spring washer B 12 DIN 127 | 1 | —,10 |
| 1448 | 55— | Nylos ring | 1 | —,70 |
| 1449 | | Oil seal for speedo cable | 1 | —,50 |

ASSEMBLY UNIT 60 - TAIL

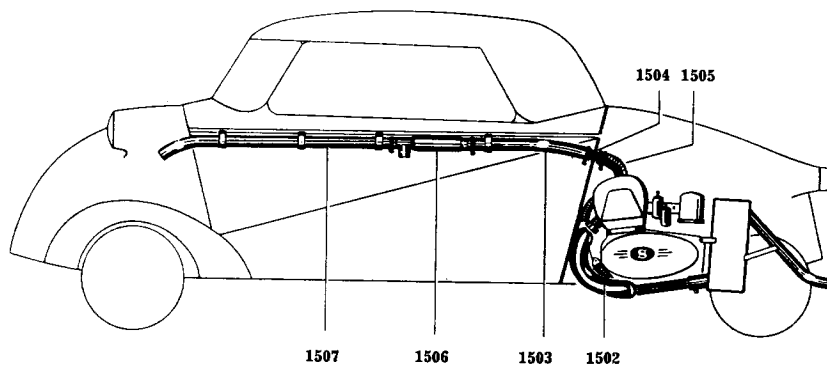
| | | | | |
|------|-------------|---|-----|-------|
| 1451 | 104.61 | Tail, primed without fittings | 1 | 150.— |
| 1452 | 104.61 | Tail, enamelled without fittings (please state colour) | 1 | 180.— |
| 1453 | 103.20—0115 | Flap lock, complete (1455, 1011) | 2 | 3.75 |
| 1011 | 12—0705 | Hook plate on shell | 2 Z | —,95 |
| 1455 | 20—0115 | Hook latch | 2 Z | 2.80 |
| 1456 | 104.61—0116 | Estomol strip between shell and cabin luggage space 720 mm | 1 | —,80 |
| 1457 | 61—0001 | Block for hinge on tail | 2 | —,50 |
| 1458 | 61—0006 | Bolt | 2 | —,30 |

ASSEMBLY UNIT 62 - FUEL UNIT 70 - FITTINGS



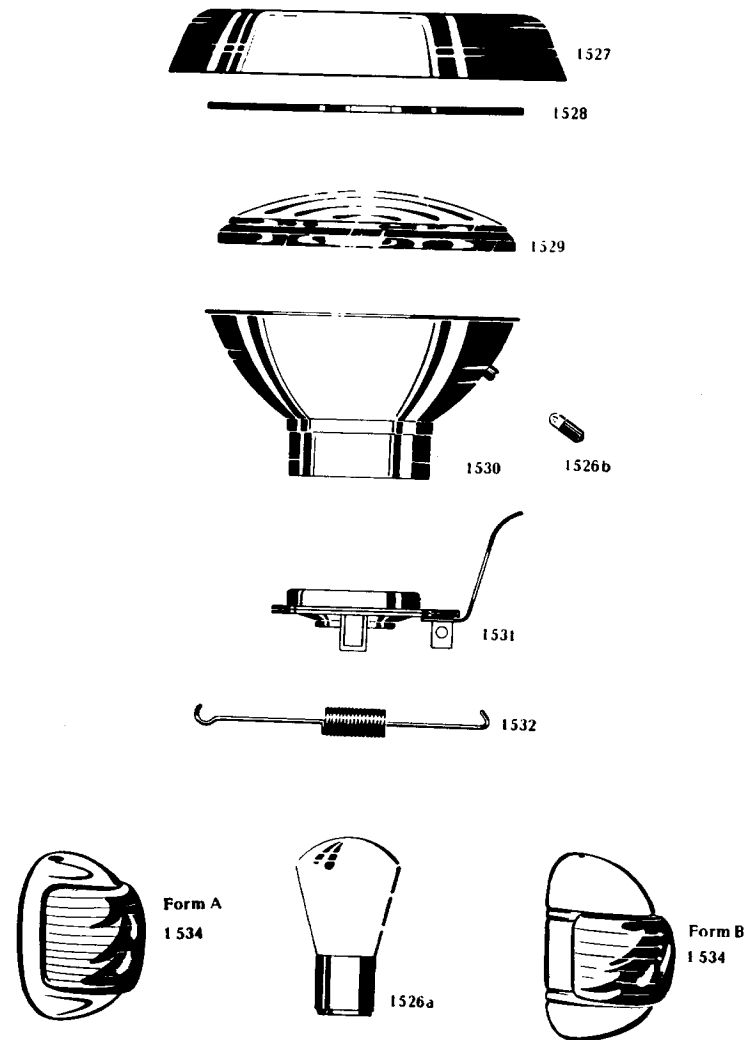
| Part No. | Drawing No. | Name | No. off | Price ea. |
|----------|-------------|---------------------------------------|---------|---------------|
| 1461 | 104.62—01 | Petrol tank | 1 | 24.— |
| 1462 | 62—02 | Fuel cock | 1 | 4.70 |
| 1462a | 50—0001 | Petrol pipe | 1 | —.90 |
| 1462b | | Nipple for petrol pipe | 1 | —.40 |
| 1463 | 62—02 | Fuel cock gasket | 1 | —.20 |
| 1464 | 62—0201 | Rubber gasket for tank feed pipe | 1 | —.90 |
| 1465 | 62—0301 | Fuel tank clamping band | 2 | —.80 |
| 1466 | 62—0302 | Felt under clamping band | 2 | —.20 |
| 1467 | 62—0107 | Petrol tank cap | 1 | 1.90 |
| 1467a | | Gasket for 1467 | 1 | —.50 |
| 1468 | 62—04 | Fuel cock linkage | 1 Z | 3.20 |
| 1471 | 70—06 | Wing, left, primed | 1 | 30.— |
| 1472 | 70—07 | Wing, right, primed | 1 | 30.— |
| 1473 | 70—06 | Wing, left, enamelled (state colour) | 1 | 40.— |
| 1474 | 70—07 | Wing, right, enamelled (state colour) | 1 | 40.— |
| 1475 | 70—04 | Rubber floor mat | 1 Z | 19.— |
| 1476 | 70—01 | Cover plate for drag left | 1 Z | 2.90 |
| 1476a | 70—011 | Cover plate, front | 1 | 2.50 |
| 1477 | 70—03 | Choke cable | 1 | 3.50 |
| 1477a | | Button for choke cable | 1 | —.50 |
| 1478 | 70—05 | Wheel disc | 3 E | 3.80 |
| 1479 | 70—051 | Bracket for wheel disc | 3 E | —.80 |
| 1480 | 70—08 | Neutral cable, inner | 1 | —.90 |
| 1481 | 70—08 | Neutral cable, outer | 1 | —.95 |
| 1482 | 75—01 | Wheel rem, complete, 25×8 | 3 | 12.— |
| 1483 | 75—0002 | Inner tube 4.4—8 | 3 | 5.30* |
| 1484 | | Tyre cover 4.4—8 | 3 | 26.10* |
| 1485 | 70—0005 | Rubber hose for air intake | 1 | 3.— |
| 1486 | | Air filter element | 1 | 4.80 |
| 1487 | | Securing ring for 1486 | 1 | —.90 |
| 1487a | | Ring for 1486 | 1 | 3.50 |
| 1488 | | Absorbing plate for Carburettor | 1 | 1.90 |

ASSEMBLY UNIT 71 - AFTER SECTION



| Part No. | Drawing No. | Name | No. off | Price ea. |
|----------|----------------|---|---------|-----------|
| 1501 | 104.71—01 | Heating unit, complete (1502—1515) | | 31.— |
| 1502 | 71—0111 | Tube 200 mm from blower to exhaust | 1 | 1.35 |
| 1503 | 71—0112 | Tube 360 mm | 1 | 2.60 |
| 1504 | 103.90—013 | Tube section with flange as fitted to rear wall | 1 | 1.30 |
| 1505 | 104.71—0110 | Tube 650 mm exhaust to 1504 | 1 | 3.90 |
| 1506 | 103.90—11403 | Heater unit pipe | 1 | 6.50 |
| 1507 | 104.71—0113 | Tube 1000 mm | 1 | 6.50 |
| 1508 | | Collars | | — .20 |
| 1509 | 104.71—011/012 | Air take-off pipe and valve | 1 | 4.50 |
| 1510 | 103.99—1103 | Beru strip with pin 260 mm | 7 | — .20 |
| 1511 | 10—0131 | Wire strip 120 mm | 1 | — .10 |
| 1512 | 99—1105 | Heater control cable 100/730 | 1 | 2.80 |
| 1513 | 92—0214 | Terminal strip for 1512 | 1 | — .10 |
| 1514 | | Knipping screw 4×10 | 4 | — .05 |
| 1515 | 104.71—0114 | Gasket under air take-off pipe | 1 | — .10 |
| | | Tubing for Heaters from Chassis Nr. 60 000 | | |
| 1517 | 104.71—0127 | Tube 460 mm, exhaust to 1504 | 1 | 2.95 |
| 1518 | 71—0128 | Tube 280 mm from blower to exhaust | 1 | 1.90 |
| 1519 | 71—0129 | Tube 570 mm, heater outlet from tubular frame | 1 | 3.60 |

ASSEMBLY UNITS 91, 92 AND 93 - ELECTRICAL FITTINGS



| Part No. | Name | Price ea. | Part No. | Name | Price ea. |
|----------|---|---------------|----------|--|-----------|
| 1526 | Headlamp, left or right 105/0 | 13.50 | 1526a | Headlamp bulb 12 V/35 W | 3.— |
| 1526c | Headlamp complete with cowl | 16.— | 1526b | Parking lamp bulb 12 V/1,5 W | —,40 |
| 1527 | Headlamp bezel | Z 4.55 | | | |
| 1528 | Rubber ring for headlamp | Z —,40 | | | |
| 1529 | Headlamp glass | Z —,90 | | | |
| 1530 | Headlamp reflector | Z 3.05 | | | |
| 1531 | Headlamp bulb holder | Z 3.70 | | | |
| 1532 | Headlamp spring | Z —,30 | | | |
| 1533 | Blinker, BL 20 left or right | 5.50 | 1533a | Spherical blinker bulb 12 V/15 W | 1.10 |
| 1534a | Blinker housing, shape A | 3.80 | | | |
| 1534b | Blinker housing, shape B | 3.80 | | | |
| 1535 | Blinker actuator | 6.80 | | | |
| 1536 | Horn M 5/12 | 14.50 | | | |
| 1536a | Bracket for horn | 1.60 | 1537a | Fuses 15 amp. | —,12 |
| 1537 | Fuse box 8 Pole | 4.30 | | | |
| 1538 | Ignition switch (siba) | 14.80* | | | |
| 1538a | Ignition key | 1.90 | | | |
| 1539 | Blinker switch | 2.15 | | | |
| 1539a | Kipp-Blinker switch | 2.15 | | | |
| 1540 | Light switch with bulb holder | 5.20 | 1540a | Bulb 12 V/2 W | —,45 |
| 1541 | Light switch (new) | 2.70 | 1541a | Festoon bulb 12 V/ 15 W stop tail light | 1.10 |
| 1542 | Tail light with stop light left or right | 6.— | 1541b | Festoon bulb 12 V/3 W | —,45 |
| 1542a | Tail light housing | 4.50 | | | |
| 1542b | Tail light glass | 1.90 | | | |
| 1543 | Stop light with plain red glass shape A | 4.50 | | | |
| 1543a | Stop light housing shape A | 3.— | | | |

ASSEMBLY UNITS 91, 92 AND 93 - ELECTRICAL FITTINGS

| Part No. | Name | Price ea. | Part No. | Name | Price ea. |
|----------|--|-----------|----------|------------------------------|-----------|
| 1544 | Stop light with rebbed glass shape B | 4.50 | | | |
| 1544b | Stop light housing shape B | 3.— | 1526b | Parking lamp bulb 12 V/1,5 W | —,40 |
| 1545 | Terminal strip 1-pole | —,25 | | | |
| 1546 | Terminal strip 10-pole | 2.20 | | | |
| 1547 | Rubber ring cable protection, 3 mm ϕ | —,15 | 1526b | Parking lamp bulb 12 V/1,5 W | —,40 |
| 1548 | Ignition indicator light red without bulb | 1.50 | | | |
| 1549 | Reverse indicator light, green, without bulb | 1.50 | | | |
| 1550 | Blinker indicator light, red, old type | 1.50 | 1550a | Bulb 12 V/2 W | —,45 |
| 1550b | Beam indicator light, blue, without bulb | 1.50 | 1550a | Bulb 12 V/2 W | —,45 |
| 1550c | Blinker indicator light, yellow, without bulb | 1.50 | 1550a | Bulb 12 V/2 W | —,45 |
| 1551 | Bulb for speedometer | —,40 | | | |
| 1552 | Number plate illuminating lights K 3 (export only) | 3.50 | 1552a | Festoon bulb 12 V/5 W | —,50 |
| 1553 | Battery, uncharged, 11 Ah 6 V | 22.60 | | | |
| 1553a | Battery, uncharged, 13 Ah 12 V | 51.30 | | | |
| 1553b | Battery strap | 1.90 | | | |

ASSEMBLY UNITS 91, 92 AND 93 - ELECTRICAL FITTINGS

| Part No. | Drawing No. | Name | No. off | Price ea. |
|----------|---------------|--|---------|---------------|
| 1556 | 103.106—0154 | Earth strip, copper 12 000 mm | 1 | 1.10 |
| 1558 | 104.92—0205 | Windscreen wiper motor 12 V 120° sweep with 1560 and 1561 | | 29.— |
| 1559 | 104.92—0205/1 | Windscreen wiper motor 12 V 120° sweep without 1560 and 1561 | | 22.40 |
| 1559a | | Wiper shaft complete 11 or 12 teeth | | 1.40 |
| 1560 | 104.92—0205/2 | Windscreen wiper arm, silver enamelled | | 2.80 |
| 1561 | 104.92—0205/3 | Windscreen wiper strip WBP 23 silver enamelled | | 3.95 |
| 1562 | 104.93—0204 | Siba-control box, complete (ignition coil with condenser, regulator, magneto change — over switch and terminal board) | | 116.—* |
| 1563 | | Ignition coil | | 12.75* |
| 1564 | | Regulator | | 31.60* |
| 1565 | | Magneto change — over switch with terminal board | | 30.40* |
| 1566 | | Condenser | | 2.20* |
| 1567 | | Rubber base for 1533 | | —50 |
| 1568 | | Rubber base for 1542 | | —50 |
| 1571 | 94—01 | Cable harness for nose | | 12.50 |
| 1571/1 | | Cable harness for shell | | 4.90 |
| 1571/2 | 92—01 | Cable harness for tail | | 2.10 |
| 1571/3 | 91—012 | Cable harness for dipper switch | | 1.40 |
| 1571/4 | 91—013 | Cable harness for stop light switch | | 1.20 |
| 1571/5 | | Cable harness for battery | | —80 |
| 1571/6 | | Cable harness for clock | | —20 |
| 1572 | | Stop light switch (upto chassis No. 60 000) | | 3.90 |
| 1572a | | Stop light switch (from chassis No. 60 000) | | 3.50 |
| 1573 | 91—0202 | Beam deflector switch | | 4.20 |

SPECIAL ACCESSORIES FOR KR 200

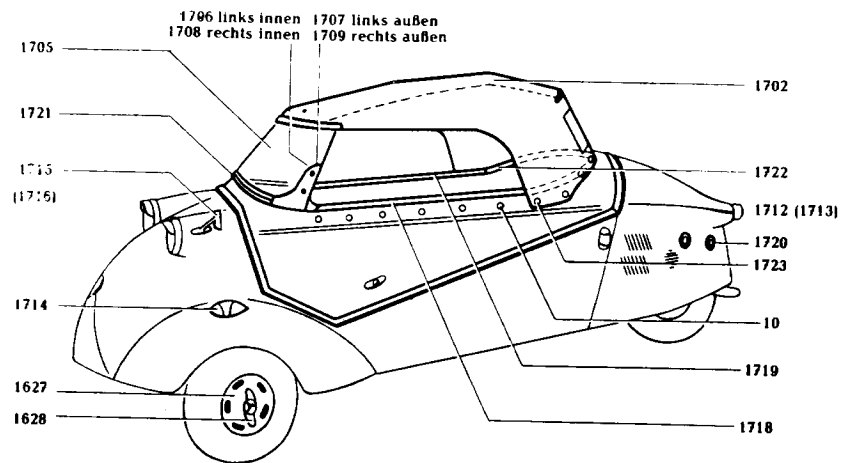
| Part No. | Name | Price ea. |
|----------|--|--------------|
| 1601 | Folding canvass cover | 75.— |
| 1602 | Sun covers complete, with press buttons and pocket | 14.50 |
| 1603 | Pocket for sun cover | 1.90 |
| 1604 | External sun visor, adjustable | 29.50 |
| 1605 | Internal sun visor with rubber suction cups. | 3.70 |
| 1606 | Suction cups for internal sun visor | —.50 |
| 1607 | Air deflectors (state left or right) | 7.— |
| 1608 | Rack for 2 pairs of skis | 25.— |
| 1609 | Petrol tank locking cap | 8.80 |
| 1610 | Interior cabin lining complete (state colour) | 65.— |
| 1610a | Interior cabin lining left, shall, (state colour) | 11.50 |
| 1610b | Interior cabin lining left, dome structure (state colour) | 11.50 |
| 1610c | Interior cabin lining righth, shell (state colour) | 30.— |
| 1610d | Cover, rear, right, shell | 4.— |
| 1610e | Set of adhesive strips | 8.— |
| 1611 | Seat covers, complete set | 35.— |
| 1612 | Cocoanut matting, complete — 4 pieces | 39.— |
| 1613 | Cocoanut matting for cockpit — 3 pieces | 29.90 |
| 1614 | Cocoanut matting for luggage space | 9.— |
| 1615 | Tack | 4.90 |
| 1616 | Ashtray | 2.95 |
| 1617 | Headlamp cowl | 2.10 |
| 1618 | Reversing lamp | 12.— |
| 1619 | Windscreen washer | 9.80 |
| 1620 | Clock with light, 36 hour | 19.— |
| 1621 | Tyre pressure gauge | 6.50 |
| 1622 | Luggage carrier, chromium with bolts | 27.— |
| 1624 | Folding garage with bag | 55.— |
| 1625 | Spare wheel complete | 45.—* |
| 1626 | Wheel disc, complete with bracket | 3.80 |
| 1627 | Ornamental wheel disc with Rudge securing cap | 8.50 |
| 1628 | Rudge securing cap | 4.25 |
| 1629 | Wheel disc, spoked, with Rudge securing cap, chromed | 15.50 |
| 1630 | Cleaning kit for organic glass | 5.90 |
| 1632 | Plexipol, bottle of 100 gr. | 2.— |
| 1633 | Plexipol, tube of 100 gr. | 2.— |
| 1634 | Plexipol, tube of 250 gr. | 3.50 |
| 1635 | Battery 18 Ah, complete with parts for replacing 12V Battery | 75.— |

TOOLS

| Part No. | Name | No. off | Price ea. |
|----------|---|---------|-----------|
| SW 16 | Camber gauge | 1 | 12.— |
| SW 18 | Puller, steering bar | 1 | 9.80 |
| SW 19 | Cog wheel (1409) Puller | 1 | 9.50 |
| SW 28 | "Toe-in" gauge | 1 | 25.— |
| SW 29 | Box spanner for rocker arm | 1 | 21.50 |
| SW 36 | Spanner for steering bar | 1 | 4.30 |
| SW 37 | Device for fastening handle bar | 1 | 22.— |
| SW 38 | Control gauge for engine | 1 | 4.— |
| SW 39 | Ring spanner for use with SW 19 | 1 | 4.75 |
| SW 57 | Pliers for speedometer ring | 1 | 14.50 |
| SW 54 | Puller for 1397 (Rubber springing) | 1 | 48.50 |
| | Pliers for hollow rivets | 1 | 13.50 |
| 36 941 | Tool for setting in windscreen | 1 | 3.60 |
| 36 943 | Tool for inserting filler into rubber gasket around windscreen | 1 | 6.— |
| SW 75 | Steel clamp for securing profile frame of hood on rear of vehicle | 4 | 3.50 |
| SW 79 | Steel clamp for securing up rights and window frames | 6 | 3.50 |
| SW 34 | Spring claw for mounting dome | 1 | 7.— |
| SW 35 | Spring clamp for mounting dome | 1 | 5.80 |
| SW 77 | Clamping claw for bends | 1 | 22.— |
| SW 78 | Clamping claw for straight lines | 1 | 23.— |
| WE 26 | Clamping head | | 420.— |
| SW 40 | Wedge for inserting rubber surround (0239) | 1 | — .90 |
| SW 76 | Steel clamp, new form | | 3.50 |

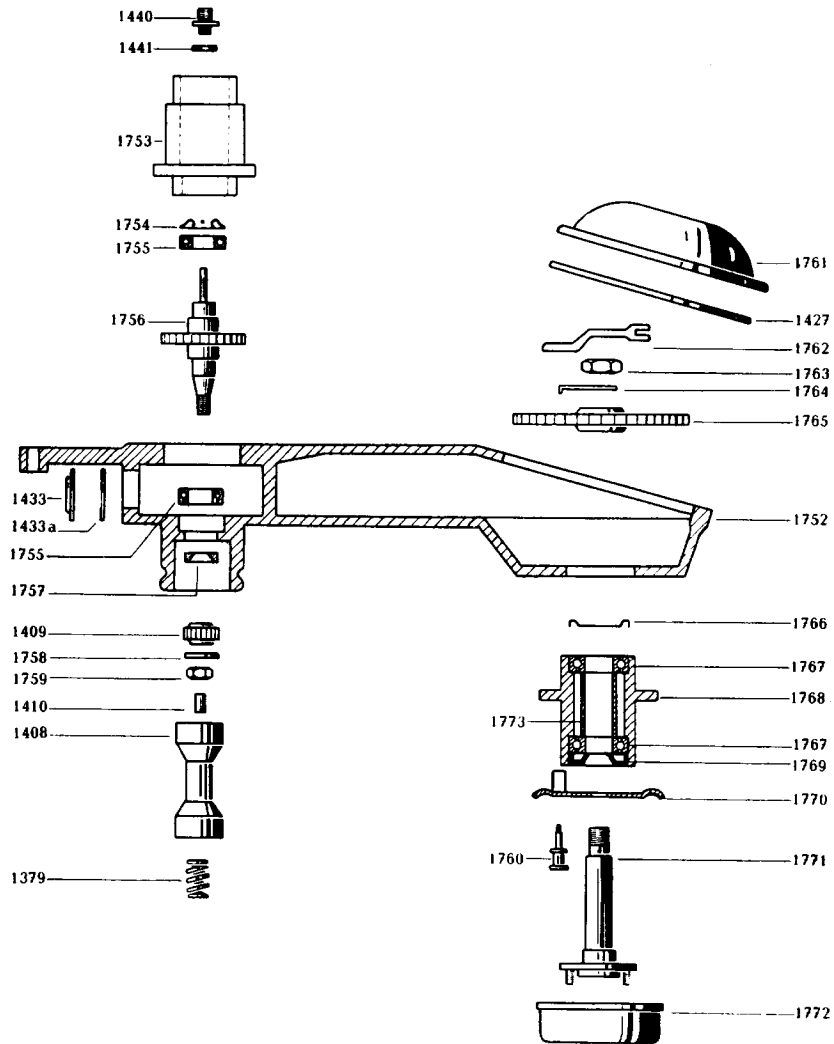
Additional Parts
for
KR 201 Roadster
and
new Rocker

PARTS FOR KR 201



| Part No. | Name | No. off | Price ea. |
|----------|---|---------|--------------|
| 1700 | Dome structure complete with folding canvas hood lock housing and lock, suitable for KR 200 only special price for changing KR 200 into KR 201 State chassis number with your order | | 350.— |
| 1701 | Canvas hood with folding metal frame, 2 pliable side curtains and hood cover, special price for completing a KR 201 bought without canvas hood State chassis number with your order | | 195.— |
| 1702 | Canvas hood with folding metal frame | 1 Z | 180.— |
| 1703 | Hood cover | 1 | 32.— |
| 1705 | Windscreen | 1 Z | 34.— |
| 1706 | Windscreen upright, left inner | 1 Z | 3.— |
| 1707 | Windscreen upright, left outer | 1 Z | 3.— |
| 1708 | Windscreen upright, right inner | 1 Z | 3.— |
| 1709 | Windscreen upright, right outer | 1 Z | 3.— |
| 1710 | Side curtain, left transparent | 1 | 15.— |
| 1711 | Side curtain, right, transparent | 1 | 15.— |
| 1712 | Tail light, chrome | 2 Z | 7.20 |
| 1713 | Housing for tail light | 2 | 6.20 |
| 1714 | Wing lamp with bulb | 2 Z | 9.— |
| 1715 | Rearview mirror | 2 Z | 9.60 |
| 1716 | Rearview mirror glass | | 1.80 |
| 1717 | Gear lever, chrome | 1 | 7.— |
| 1718 | Hand rail, left | 1 Z | 15.— |
| 1719 | Hand rail, right | 1 Z | 15.— |
| 1720 | Chrome portholes, 45 Ø | 4 Z | —50 |
| 1721 | Windscreen rubber | 1 Z | 2.50 |
| 1722 | Metal frame for hood, rear | 1 Z | 7.50 |
| 1723 | Press button, securing hood and side curtain | 2 Z | —60 |
| 1724 | Hood strap, long | 1 | 2.90 |
| 1627 | Ornamental wheel disc with Rudge securing cap | 3 Z | 6.50 |
| 1628 | Rudge securing cap | 3 Z | 4.— |

ROCKER, NEW since chassis-No. 65 186



| Part No. | Name | No. off | Price ea. |
|----------|--|---------|-------------|
| 1750 | Rocker complete with rubber suspension | 1 Z | 279.— |
| 1751 | Rocker complete without suspension | 1 Z | 258.— |
| 1752 | Rocker housing | 1 Z | 62.— |
| 1753 | Rocker arm | 1 Z | 16.— |
| 1754 | Nylos ring | 1 Z | —.90 |
| 1755 | Bearing 6304 | 2 Z | 4.— |
| 1756 | Chain pinion | 1 Z | 15.10 |
| 1757 | Simmer ring (oil seal) | 1 Z | 1.50 |
| 1758 | Washer | 2 Z | —.10 |
| 1759 | Nut hexagon, left hand thread | 2 Z | —.30 |
| 1760 | Brake toggle | 1 Z | 3.50 |
| 1761 | Hub cover plate | 1 Z | 3.50 |
| 1762 | Brake lever | 1 Z | 3.35 |
| 1763 | Nut | 1 Z | —.35 |
| 1764 | Securing plate | 1 Z | —.15 |
| 1765 | Chain wheel | 1 Z | 12.50 |
| 1766 | Nylos ring | 1 Z | —.90 |
| 1767 | Bearing 6205 | 2 Z | 3.90 |
| 1768 | Spindle housing | 1 Z | 10.— |
| 1769 | Simmer ring | 1 Z | 2.10 |
| 1770 | Brake drum plate, complete | 1 Z | 3.— |
| 1771 | Rear axle | 1 Z | 15.— |
| 1771a | Spring B 6×6×20 | 1 | —.25 |
| 1772 | Brake drum | 1 Z | 9.10 |
| 1773 | Spindle bush | 1 Z | 2.50 |
| 1379 | Pressure spring in toothed sleeve No. 1408 | 1 Z | —.40 |
| 1408 | Toothed sleeve | 1 Z | 26.75 |
| 1409 | Cog wheel | 2 Z | 6.70 |
| 1410 | Spring bolt in toothed sleeve | 2 Z | —.95 |
| 1427 | Gasket under cover plate | 1 Z | —.90 |
| 1433 | Rocker housing lid | 1 Z | —.90 |
| 1433a | Oil resistant rubber gasket | 1 Z | —.40 |
| 1440 | Threaded ring on speedo cable | 1 Z | 1.60 |
| 1341 | Toothed disc for brake lever adjustment | 1 | —.90 |
| 1343 | Tension spring for brake block | 2 | —.30 |
| 1348 | Brake block complete with lining (Juride) | 2 | 4.80 |
| 1348a | Brake lining | 2 | 1.30 |

ROCKER, NEW since chassis-No. 65 186

| | | | |
|-------|-------------------------|---|-------|
| 1348b | Rivets for brake lining | | — .02 |
| 1432 | Driving chain, 70 links | 1 | 10.80 |
| 1774 | Return spring | 1 | — .50 |
| 1775 | Locking screw | 1 | — .95 |
| 1776 | Sealing ring (copper) | 1 | — .35 |
| 1777 | Perbunan ring 11×2 | 1 | — .60 |
| 1778 | Perbunan ring 20×3 | 1 | — .70 |
| 1779 | Metal ring | 1 | — .15 |